

# solo®

## Wand Repair Kit (0610411-K)

### Tools needed for the installation of parts:

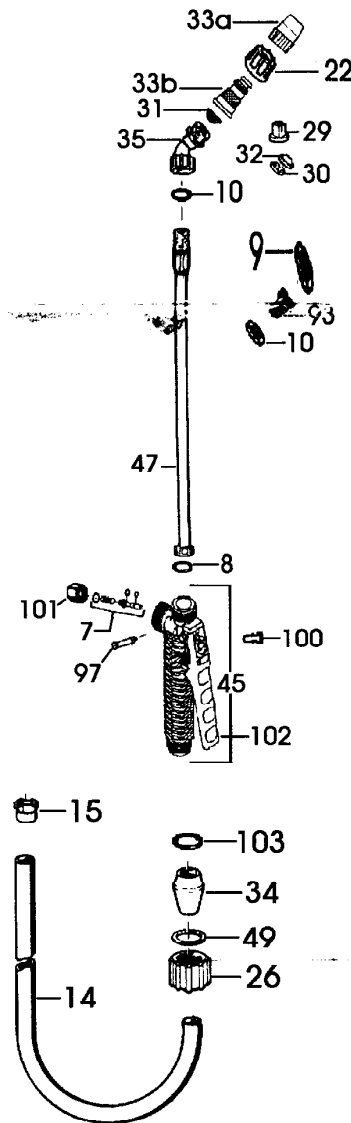
Grease (Vaseline® or Petroleum Jelly)

### SAFETY PRECAUTIONS:

1. Always wear rubber gloves, safety goggles and appropriate protective clothing when repairing a sprayer.
2. Work in a well ventilated area.
3. Prior to repair, thoroughly flush the sprayer with water. Next, fill the tank and pump the water through the sprayer and discharge out the end of the wand into an appropriate container or area.
4. Ensure all pressure in the sprayer is relieved by locking the shut-off valve in the open position.

### PROCEDURE:

1. Remove the elbow (35) from the end of the wand and replace the O-ring (10). Remove the nozzle cap (33a). Next, unscrew the cap (22) from the tip of the elbow. Push the nozzle body (33b) out of the screw cap and reassemble with the new screw cap (22).
2. Remove the wand (47) from the shut-off valve (45) and replace the O-ring (8).
3. To remove the retaining pin (97), rest the split end of the pin on a hard surface (such as a table) and push. Once the retaining pin pops up, remove it. Now slide the lever (102) off the valve body. With the lever off, remove the screw cap (101), spring (7) and valve body. Discard the screw cap, spring and valve body. Lubricate the O-rings on the new valve body and reassemble in reverse order. Next, place the lever groove into the slotted part of the valve body, making sure that the locking clip (100) is positioned correctly. Insert the retaining pin. Push down on the lever and release repeatedly so the grease distributes evenly.
4. For handheld models, remove the O-ring (103) and replace with new one. For backpack models, remove the O-ring (103), clamp (34), the metal washer (49), and the screw cap (26). Replace with new parts. When reassembling, the screw cap (26) is placed over the hose first, followed by the metal washer (49). The longer end of the clamp (34) is then inserted into the hose (14) and the O-ring (103) is placed onto the clamp.
5. Fill the formula tank with water only. Pressurize the sprayer to make sure there are no leaks and that all components are functioning properly. **Do not use the sprayer until all components are leak free and functioning properly.**



### Backpack Only

Order No.	Description	Reference No.
4074337	Screw Cap	26*
4074500	Clamp	34*
0062271	O-Ring	103
0610402-K	Shut-off Valve Repair Kit	7
0062258	O-Ring	8
0062115	O-Ring	10
4074148	Screw Cap	22
0031356	Metal Washer	49*

\* For backpack sprayers only

**NOTE:** An Elbow Nozzle Assembly (4900258N) and Nozzle Assortment (0610456-P) are available.