

SOLO

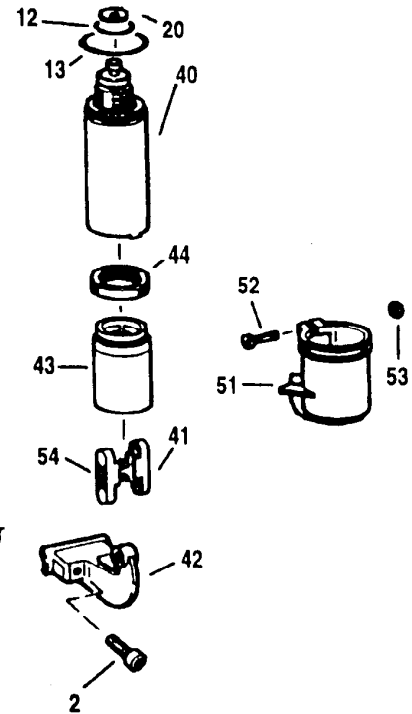
PISTON , ROD & COLLAR KIT (# 0610409-K)

SAFETY PRECAUTIONS:

1. Flush the sprayer with water. Be sure to pump the water through the sprayer, wand, etc.
2. Relieve all pressure in the sprayer by opening the shut-off valve.
3. Avoid contact with chemicals, wear protective clothing and work in a well ventilated areas. Dispose of chemicals properly.

PROCEDURE:

1. Remove screw (52) from protective cap (51) and pull the protective cap off of the bottom of the pump.
2. Remove the two Allen screws (2) that hold the linkage (42) to the pump rod.
3. Pull the old piston and linkage from the cylinder.
4. Place connecting rod (41 & 54) over the studs on the lever (42) and hold without snapping the two halves together. Insert the other ends of the connecting rods over the piston pins and snap into place. The holes in the side of the piston (43) are located so as to aid in this assembly.
5. Install the new Viton® collar (44) on the piston (43).
6. Lubricate the Viton® collar with non-water soluble grease and insert the piston into the cylinder. Make sure the tension spring does not come out of the collar and that the sealing edge of the collar doesn't get caught on the bottom edge of the cylinder.
7. Re-attach the linkage to the pump rod and re-install the protective cap.
8. **Test the sprayer with water prior to using chemicals.**



PARTS INCLUDED:

<u>PART #</u>	<u>DESCRIPTION</u>	<u>REFERENCE #</u>
4074558	Piston	43
4400189	Viton® Collar	44
4074408	Connecting Rod w/Stud	54
4074409	Connecting Rod w/o Stud	41
4074262	Lever	42